

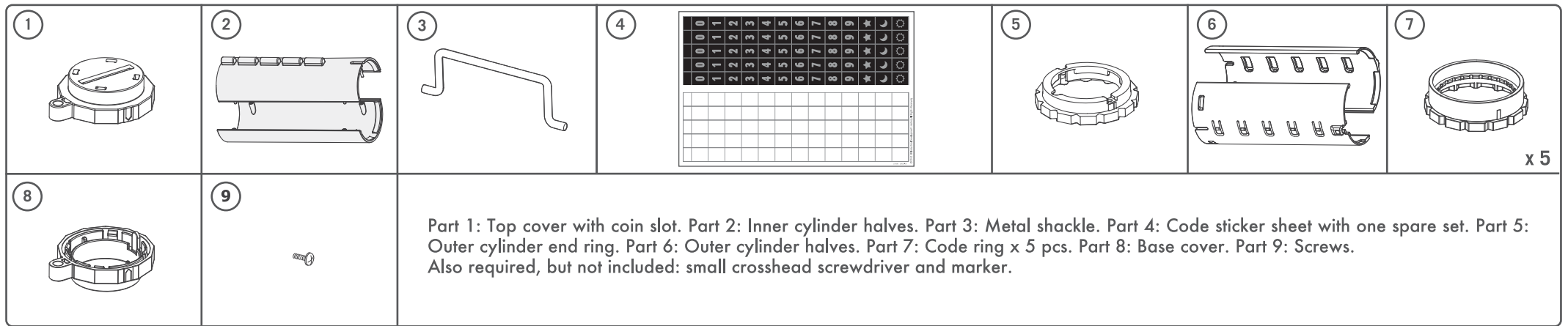
KidzLabs™ Combination Lock

⚠ WARNING:
CHOKING HAZARD – Small parts.
Not for Children under 3 years.

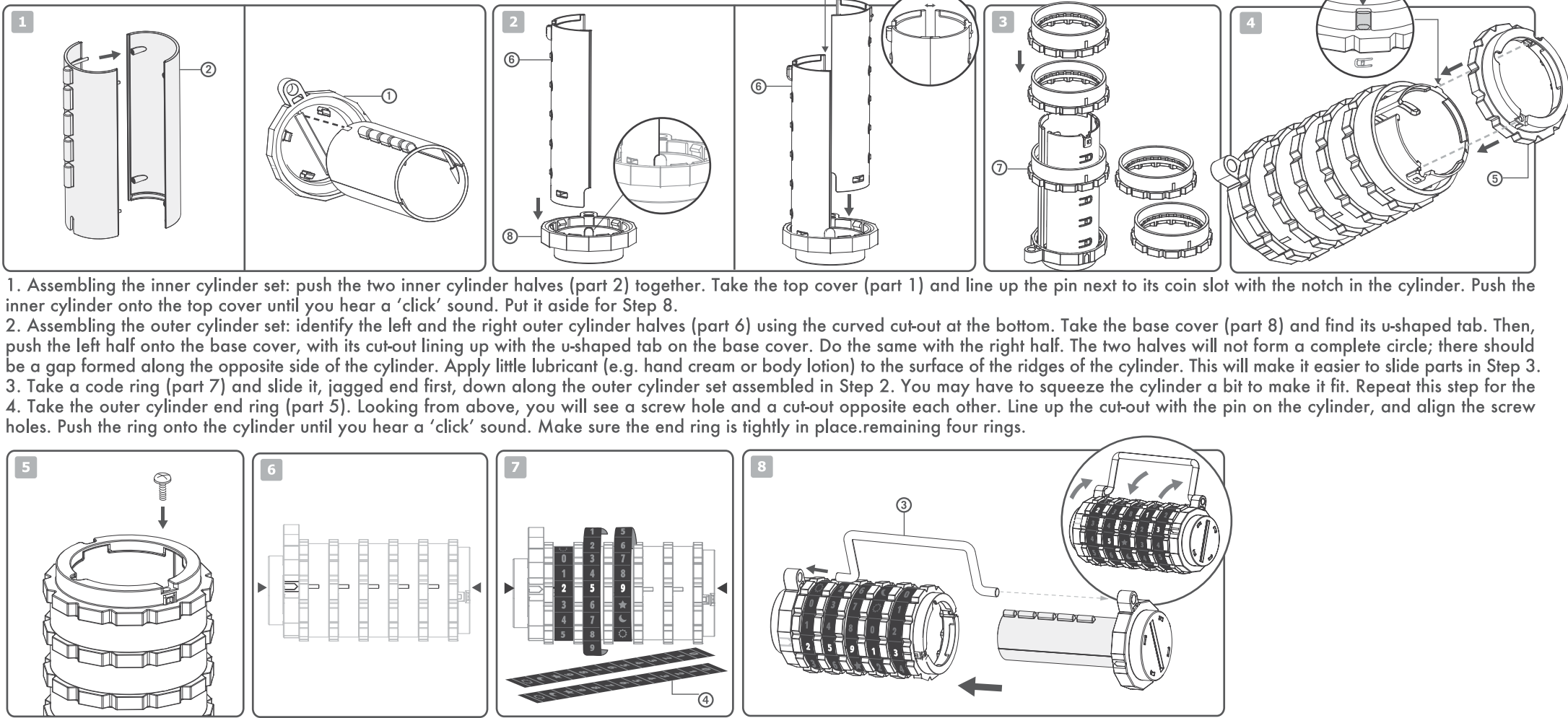
A. SAFETY MESSAGES

Adult supervision and assistance are required at all times. This kit is intended for children 5 years or older. This kit and its finished product contain small parts which may cause choking if misused. Keep away from children under 3 years old.

B. CONTENTS



C. ASSEMBLING THE LOCK STRUCTURE



1. Assembling the inner cylinder set: push the two inner cylinder halves (part 2) together. Take the top cover (part 1) and line up the pin next to its coin slot with the notch in the cylinder. Push the inner cylinder onto the top cover until you hear a 'click' sound. Put it aside for Step 8.

2. Assembling the outer cylinder set: identify the left and the right outer cylinder halves (part 6) using the curved cut-out at the bottom. Take the base cover (part 8) and find its u-shaped tab. Then, push the left half onto the base cover, with its cut-out lining up with the u-shaped tab on the base cover. Do the same with the right half. The two halves will not form a complete circle; there should be a gap formed along the opposite side of the cylinder. Apply little lubricant (e.g. hand cream or body lotion) to the surface of the ridges of the cylinder. This will make it easier to slide parts in Step 3.

3. Take a code ring (part 7) and slide it, jagged end first, down along the outer cylinder set assembled in Step 2. You may have to squeeze the cylinder a bit to make it fit. Repeat this step for the 4.

4. Take the outer cylinder end ring (part 5). Looking from above, you will see a screw hole and a cut-out opposite each other. Line up the cut-out with the pin on the cylinder, and align the screw holes. Push the ring onto the cylinder until you hear a 'click' sound. Make sure the end ring is tightly in place. remaining four rings.

5. Screw the outer cylinder end ring in place.

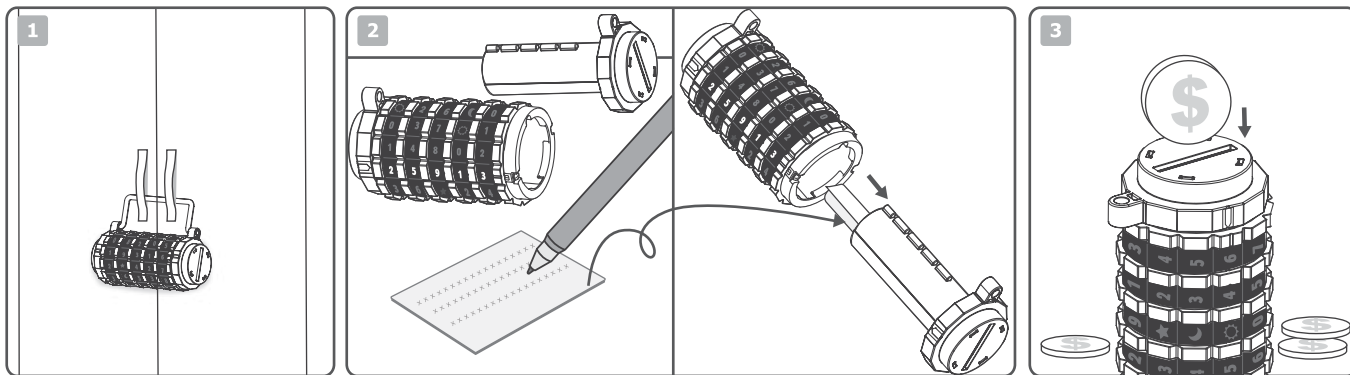
6. Setting the code: on the base cover, there is an embossed arrow mark. This mark is the unlocking key. On each of the five code rings, you should see an embossed marked line. Line up all these marks.

7. In this example, we will set the combination as 2-5-9-1-3. You may use your own combination. First, take a sticker (part 4), and find the first digit/symbol of your combination (that's 2 in our example). Starting with the left ring, line up the digit/symbol with the mark and apply the sticker. Repeat this step for the remaining four rings, and the remaining four digits/symbols of your combination (that's 5, 9, 1, and 3 in our example). Your lock is now "unlocked" as the digits/symbols are aligned with the marked arrow. Do not turn the rings at this stage. Note: write down your combination on a notebook or a piece of paper to make sure you won't forget. A spare set of blank stickers is provided for you to create another unique combination.

Remarks: If you use up the sticker sets provided, ask an adult to buy new stickers from the stationery store. Trim it to the right size and create your new unique combination again.

8. Fit one end of the metal shackle (part 3) into the hole of the shackle pin of the base cover. Then insert the inner cylinder set assembled in Step 1 into the outer cylinder set, with the pins on the inner cylinder lined up with the gap in the outer cylinder. You might need to adjust the rings a bit to allow the cylinder to slide down. Fit the other end of the shackle in the shackle pin on the top cover. To lock it, twist the rings into a random pattern. Well done! Your lock is ready! To unlock, twist the rings so that your combination appears in line with the arrow marks. Pull the top cover to remove the inner cylinder.

D. MULTI-PURPOSE OPERATION



1. As a Combination Lock: Take the metal shackle off the lock first. Insert the shackle through the handles of the cupboard. Then fit the shackle back to the metal shackle pins of the lock. Twist the password rings into a random pattern. Remark: this lock is for demonstration only, and should not be used to store valuables in public locations.

2. As a Secret Message Holder: Remove the metal shackle. Write or doodle your secret message on a piece of paper and put it into the message holder. Twist the rings into a random pattern to seal the lock. Now only you and the people who know the code can reveal your secret message!

3. As a Coin Bank: Place the coin bank upright, with the top cover facing up. Now you can use it as a coin bank to save your coins and banknotes. Make sure you twist the rings into a random pattern to secure your saving!

E. TROUBLESHOOTING

• If you cannot remove the inner cylinder from your Combination Lock / Message Holder / Coin Bank, gently twist the rings slightly as you pull the top cover gently. • If you forget, or want to change your combination, remove the stickers with care, and find the horizontal mark on the rings. Make sure it can be unlocked by aligning the marks. Apply a new set of stickers onto the rings again as in Section C – Step 7.

F. FUN FACTS

• This lock is called a combination lock. You can only open it if you know the correct combination of symbols. • Many sorts of padlocks are combination locks. You need to know the correct numbers to open the lock. • Locks that use keys work in a similar way to combination locks. The key pushes pins into the correct positions so that the cylinder of the lock can turn. Otherwise the pins jam the cylinder in place. • This lock has a possible 371,293 different combinations! • Simple locks were invented thousands of years ago in ancient Assyria.

G. QUESTION & COMMENTS

We value you as a customer and your satisfaction with this product is important to us. If you have comments or questions, or you find any part of this kit missing or defective, please do not hesitate to contact our distributor in your country. You will find the address printed on the package. You are also welcome to contact our Marketing Support Team: Email: infodesk@4m-ind.com, Fax (852) 25911566, Tel: (852) 28936241, Web site: WWW.4M-IND.COM